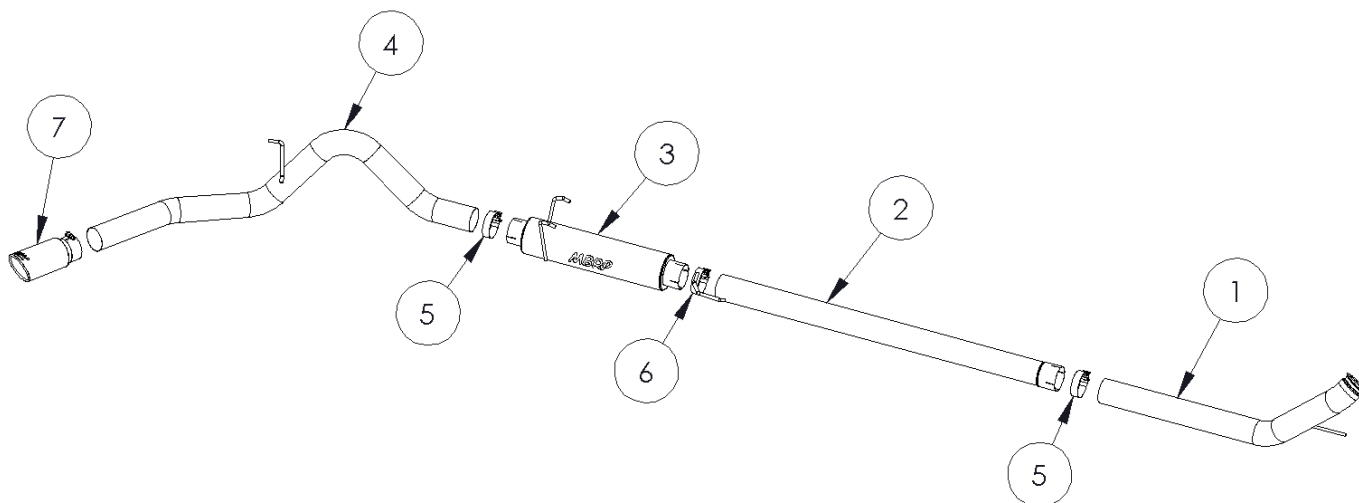


S6104

**03-04 DODGE CUMMINS, 2500/3500,
TURBO BACK**

MBRP
INC.

PERFORMANCE EXHAUST



1. DOWN PIPE
2. EXTENSION PIPE
3. HIGH FLOW MUFFLER
4. TAIL PIPE
5. 4" BAND CLAMP (SADDLE CLAMPS USED IN ALUMINIZED KIT) (2PCS)
6. 4" HANGER CLAMP (SADDLE CLAMPS USED IN ALUMINIZED KIT)
7. EXHAUST TIP

PLEASE READ BEFORE STARTING INSTALATION

While MBRP Inc. has made every effort to ensure that all components of this system are of superior quality and properly packaged it is the installer's responsibility to ensure the following before removal of the factory exhaust:

- that ALL components shown above are present.
- that ALL mating components fit together.
- that there are no damaged components.
- that the system you have purchased is appropriate for your vehicle year, model and configuration.
- that the system will not interfere with any modifications previously installed or planned.
- that you have read and understand these instructions.

If you have any questions or are uncertain about any aspect of the installation of this system to your vehicle please contact your dealer before commencing installation.



Removal of stock system:

1. Apply a penetrating lubricant liberally to all exhaust fasteners, hangers and rubber insulators.
2. Remove the exhaust system from the rubber insulators and remove all of the clamps from the system.
3. Separate the slip joint behind the muffler and remove the tail pipe. Next, separate the slip joint connecting the down pipe and the extension pipe to remove the muffler and extension pipe. Now loosen the band clamp connecting the down pipe to the turbo and remove the down pipe. **Do not discard the band clamp as it is required for the installation.**

Installation of MBRP Inc. Performance Exhaust:

1. Install the **Down Pipe** in the same position as the stock down pipe by sliding the hanger into the OEM hanger bracket and then attaching the flared end to the turbo using the stock band clamp. Do not fully tighten until all components are in place.
2. Install the **Extension Pipe** over the **Down Pipe**. The **Extension Pipe** may require cutting to accommodate vehicles other than the Quad Cab long bed.
(Installation tip: Temporarily hang the muffler in place using the three OEM rubber hangers and measure from the muffler to the down pipe to determine the length required.)
3. Install the **Muffler** over the **Extension Pipe** and into the OEM rubber hangers.
4. Remove the factory rubber insulator for the factory tail pipe and install it onto the **Tail Pipe** hanger. Install the **Tail Pipe** from the rear of the truck, over the axle and attach to the outlet of the **Muffler**. Finish hanging the **Tail Pipe**.
5. Install the provided **Clamps** around the pipes where required. Adjust the **Tail Pipe** and check along the whole length of the exhaust system to ensure there is adequate clearance around the fuel and brake lines or any wiring. If any interference is detected relocate or adjust.
6. Ensure that the exhaust is in place before tightening clamps. Start at the front of the exhaust system and begin tightening all connections.
7. Install and adjust the **Tip** to suit. Using a 17mm wrench tighten lock bolt located on the **Tip**.

Congratulations! You are ready to begin enjoying the improved performance and driving experience of your MBRP Inc. performance exhaust system. We hope you enjoy your purchase.