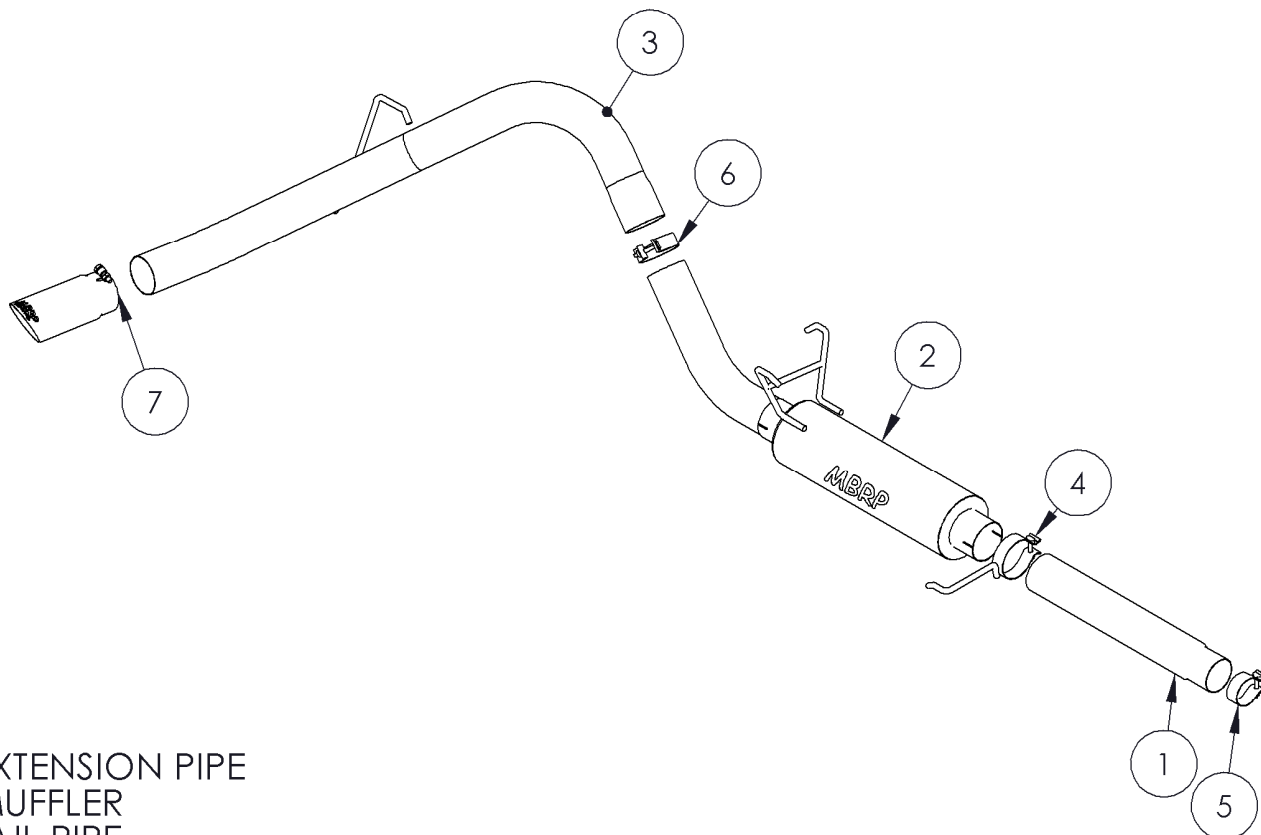


S5102

03 DODGE RAM 1500 5.7L SC/CC-SB
CAT BACK, SINGLE

MBRP INC.

PERFORMANCE EXHAUST



1. EXTENSION PIPE
2. MUFFLER
3. TAIL PIPE
4. 3 1/2" HANGER CLAMP (SADDLE CLAMP IN ALUMINIZED SYSTEM)
5. 3" BAND CLAMP (SADDLE CLAMP IN ALUMINIZED SYSTEM)
6. 3 1/2" BAND CLAMP (SADDLE CLAMP IN ALUMINIZED SYSTEM) (2PCS)
7. EXHAUST TIP

PLEASE READ BEFORE STARTING INSTALATION

While MBRP Inc. has made every effort to ensure that all components of this system are of superior quality and properly packaged it is the installer's responsibility to ensure the following before removal of the factory exhaust:

- that ALL components shown above are present.
- that ALL mating components fit together.
- that there are no damaged components.
- that the system you have purchased is appropriate for your vehicle year, model and configuration.
- that the system will not interfere with any modifications previously installed or planned.
- that you have read and understand these instructions.

If you have any questions or are uncertain about any aspect of the installation of this system to your vehicle please contact your dealer before commencing installation.



2003 Dodge Ram 5.7L Hemi

These instructions cover the following systems: S5102304, S5102AL

Removal of stock system:

1. Apply a penetrating lubricant liberally to all exhaust fasteners, hangers and rubber insulators.
2. Remove the clamp in front of the muffler and separate the exhaust at the slip joint.
3. Remove the hangers from the rubber insulators (five in total) and remove the exhaust from the vehicle. If a hoist or hydraulic lift is being used the tail pipe may need to be cut to clear the rear axle.

Installation of MBRP Inc. Performance Exhaust:

NOTE: This system does not require the removal of the spare tire.

1. On Quad Cab models only, install the expanded end of the extension pipe over the factory exhaust system behind the "Y" pipe and install muffler onto extension pipe. On Regular Cab vehicles, install muffler onto the factory exhaust system behind the "Y" pipe.
2. Place hangers located on muffler into factory rubber insulators.
3. Feed the tail pipe over the axle and loosely install it into the muffler.
4. Install the tailpipe hanger through the factory rubber insulator.
5. Install the hanger clamp around the front muffler joint and into the factory rubber insulator located on the frame near the front of the muffler.
6. Install the mirror polished tip. It is recommended to install it at this point to assist with the final system alignment.
7. Install provided clamps to the pipe connections where required. Align the exhaust as required before tightening clamps.
8. Starting at the front of the exhaust tighten all clamps and connections.
9. Check along the whole length of the exhaust system to ensure that there is adequate clearance around the spare tire, fuel and brake lines or any wiring. If any interference is detected relocate or adjust.

Congratulations! You are ready to begin enjoying the improved performance and driving experience of your MBRP Inc. Performance Exhaust system. We hope you enjoy your purchase.